



**Description**

The Redington Model 722 provides an AC Hour Meter with an operating range of 90-264VAC 50/60 Hz. You no longer require two separate meters, one for 115VAC and one for 230VAC. Models are available in the standard industry housings, 2-Hole Rectangular, Flush-Rectangular, Flush-Round and 3-Hole Round. Its quartz time base insures accurate long-term time keeping. The Totally Sealed case protects against the environment and provides years of reliable service. All models are NEMA 4X,12 rated when mounted with optional gasket.

**Features**

- Operating voltage 90-264VAC 50/60Hz
- Totally Sealed
- UL/cUL Recognized, CE & RoHS Compliant
- 6 Figure, 99999.9
- Quartz accuracy

**Options**

- Wire leads
- Gasket kit (for NEMA 4X, 12 rating)
- Custom lens
- Terminals up, down, straight

**Specifications**

<p><b>Figures:</b> 6 - digits, 0.14" [3.6mm] 99999.9 Hours and indicator - white on black Decimal - black on white</p> <p><b>Reset:</b> Non-reset</p> <p><b>Voltage:</b> 90-264VAC</p> <p><b>Frequency:</b> 50/60Hz</p> <p><b>Power:</b> 1 watt max.</p> <p><b>Mounting:</b> Clip or mounting holes</p> <p><b>Termination:</b> ¼" [6.3mm] spade terminals</p> <p><b>Weight:</b> ~2 oz [57 g]</p> <p><b>Accuracy:</b> ± 0.02% over entire range</p>	<p><b>Case Material:</b> Black polymer</p> <p><b>Lens Material:</b> Polymer</p> <p><b>Agency Approvals:</b> UL/cUL Recognized, CE &amp; RoHS Compliant, SAE &amp; NEMA 4X, 12 Compliant</p> <p><b>Environmental:</b> Totally Sealed</p> <p><b>Front Panel:</b> NEMA 4X, 12 rated with optional gasket</p> <p><b>Temperature:</b> -40°F to +185°F [-40°C to + 85°C]</p> <p><b>Humidity:</b> 95% (SAE J1378)</p> <p><b>Vibration:</b> 10-80 Hz, 20g max. (SAE J1378)</p> <p><b>Shock:</b> 55g @ 9 - 13msec (SAE J1378)</p>
--	--

**Models**

**Description**

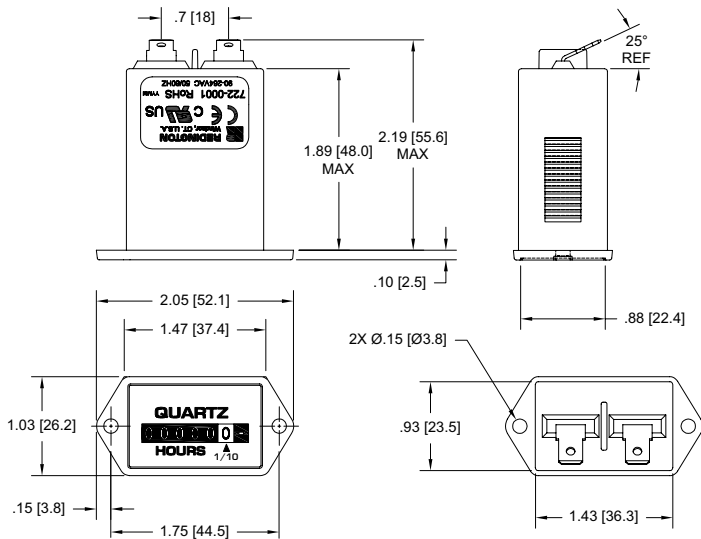
<b>722-0001</b>	2-Hole Rectangular, 90-264VAC 50/60Hz, ¼" [6.3mm] spade terminals, hours & 1/10's
<b>722-0002</b>	Flush-Rectangular, 90-264VAC 50/60Hz, ¼" [6.3mm] spade terminals, hours & 1/10's
<b>722-0003</b>	Flush-Round, 90-264VAC 50/60Hz, ¼" [6.3mm] spade terminals, hours & 1/10's
<b>722-0004</b>	3-Hole Round, 90-264VAC 50/60Hz, ¼" [6.3mm] spade terminals, hours & 1/10's
<b>722-0030</b>	Square 1.9", 90-264VAC 50/60Hz, ¼" [6.3mm] spade terminals, hours & 1/10's
<b>5003-010</b>	NEMA 4X, 12 Gasket for Model 722-0001
<b>5003-009</b>	NEMA 4X, 12 Gasket for Model 722-0002
<b>5003-008</b>	NEMA 4X, 12 Gasket for Model 722-0003
<b>5003-011</b>	NEMA 4X, 12 Gasket for Model 722-0004

\* All items in bold are normally in factory stock



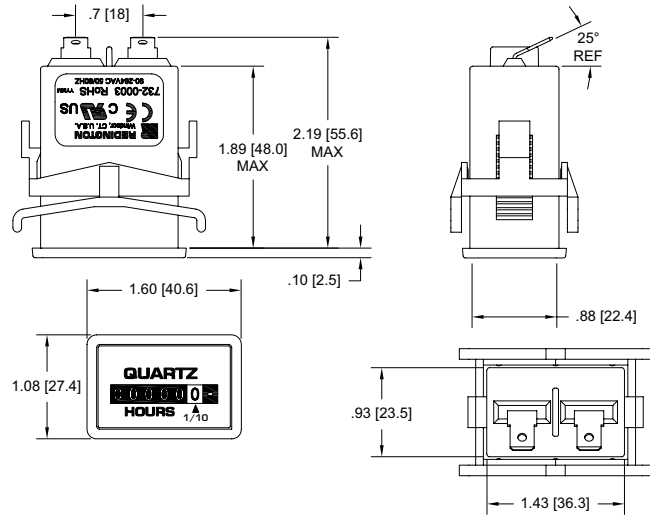
Dimensions

2-Hole



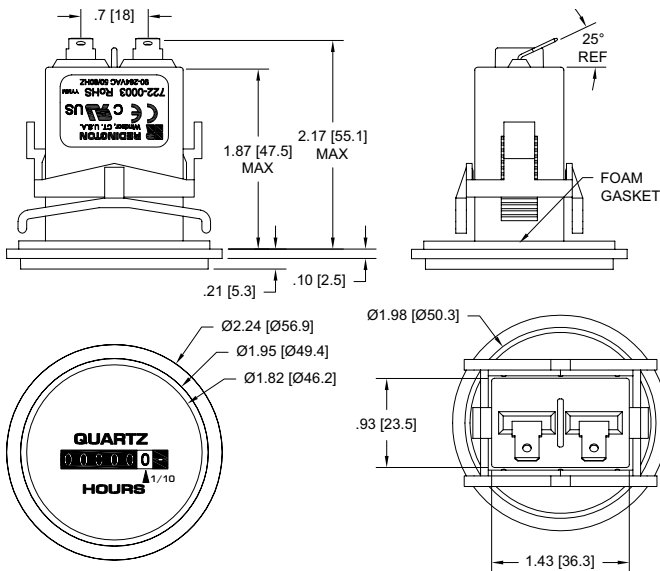
Panel Opening: 1.45" X 0.95" [36.8 X 24.1]

Flush-Rectangular



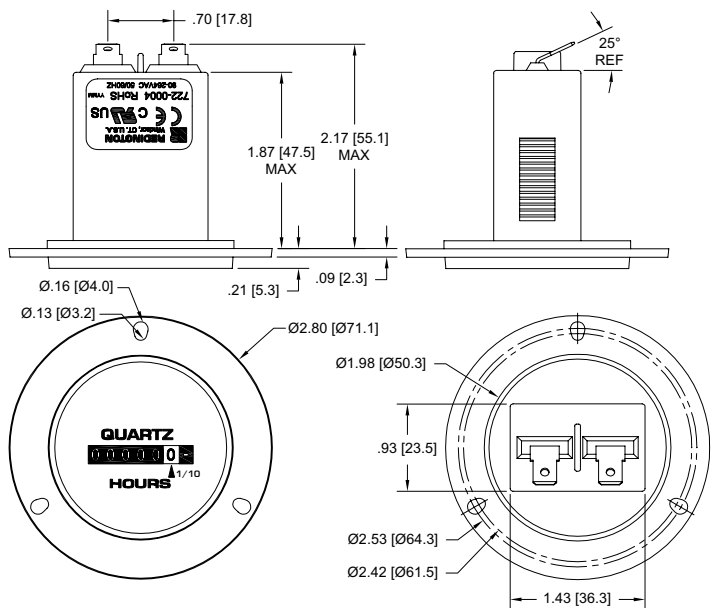
Panel Opening: 1.45" X 0.95" [36.8 X 24.1]  
Panel Thickness: 0.03 to 0.63 [0.76 to 16.00]

Flush-Round



Panel Opening: 2.0" [50.6]  
Panel Thickness: 0.40 [10.2] Max.

3-Hole Round



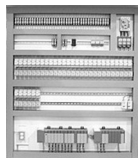
Panel Opening: 2.0" [50.6]

Applications

Medical Equipment



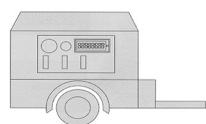
Control Panels



Test Equipment



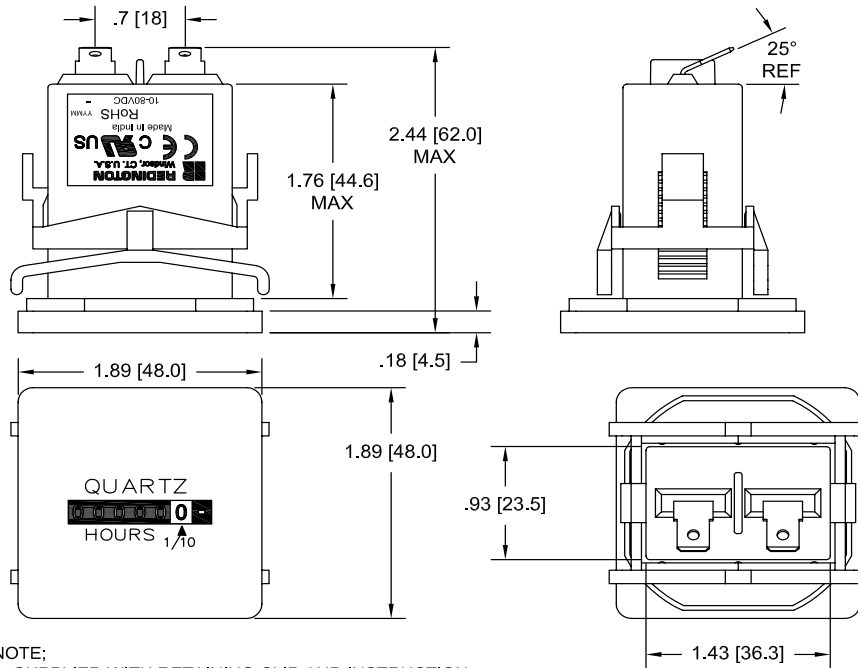
Generators



Office Equipment



Square



NOTE:  
SUPPLIED WITH RETAINING CLIP AND INSTRUCTION SHEET 211013-321IN A LABELED BOX.

PANEL CUTOUT: 1.77 [45] X 1.77 [45]  
MAX PANEL THICKNESS: 0.40 [10.2]