

AS-i Module for controlling 230 V shutter

2 AS-i AB Slaves

AS-i Specifications 2.1/3.0



Article no. BW2114: AS-i Module for controlling 230 V shutter, supplied by AS-i

The AS-i module to control shutters meets the requirements of the AS-i Specifications 2.1/3.0. It is used to control 230 V shutters with 4-conductor or 5-conductor connections. The two inputs can be used to provide the switch position to the control-

ler. Motors that turn off automatically when reaching the end-position have to be used.

On the board there are two 2 AS-i slaves, so that two shutters can be controlled. Both slaves also have an addressing socket.

Article no.	BW2114
Connections	
Connection of 230 V supply of the shutter motors and switch	cage clamp terminals
AS-i connection	Piercing technology (passive distributor), cage clamp terminals
AS-i	
AS-i profile	S-7.A.E
Specification	AB slave 1: 4 inputs, 2 outputs + AB slave 2: 4 inputs, 2 outputs
Required Master profile	≥M3
AS-i specification	2.1/3.0
Operating voltage	26,5 ... 31,6V _{DC}
Quiescent current (inputs = 0, outputs = 0)	≤ 30 mA
Max. current consumption	130 mA
Input	
Number	each with 2 inputs for connecting external switches, 2 inputs are used internally per slave
Switch current supply	out of AS-i
Wiring of the inputs	switch contacts of the shutter switch
Voltage range	18 ... 30V _{DC}
Switching current of inputs	4 mA
Output	
Outputs	each with 2 relay outputs for connecting the shutter drives with 4- or 5-conductors per slave
Load capacity	230V _{AC} , 4 A each output
Relay control	out of AS-i
Displays	
LED green (Pwr)	LED on: voltage at the AS-i clamps LED flashing: voltage at the AS-i clamps, but slave on addr. 0 (default settings)
LED red (Fault)	LED on: slave is not in the cyclic data exchange (communication error)
2 x LEDs green (state: I3, I4)	LED on: switch closed

AS-i Module for controlling 230 V shutters

Article no.	BW2114
Environment	
Applied standards	EN 61 000-6-2 EN 61 000-6-4 EN 60529
Operating altitude	max. 2000 m
Operating temperature	-25°C ... +60°C
Storage temperature	-40°C ... +70°C
Protection category	IP54
Housing	plastic
Dimensions (W / H/ D in mm)	90 / 160 / 55

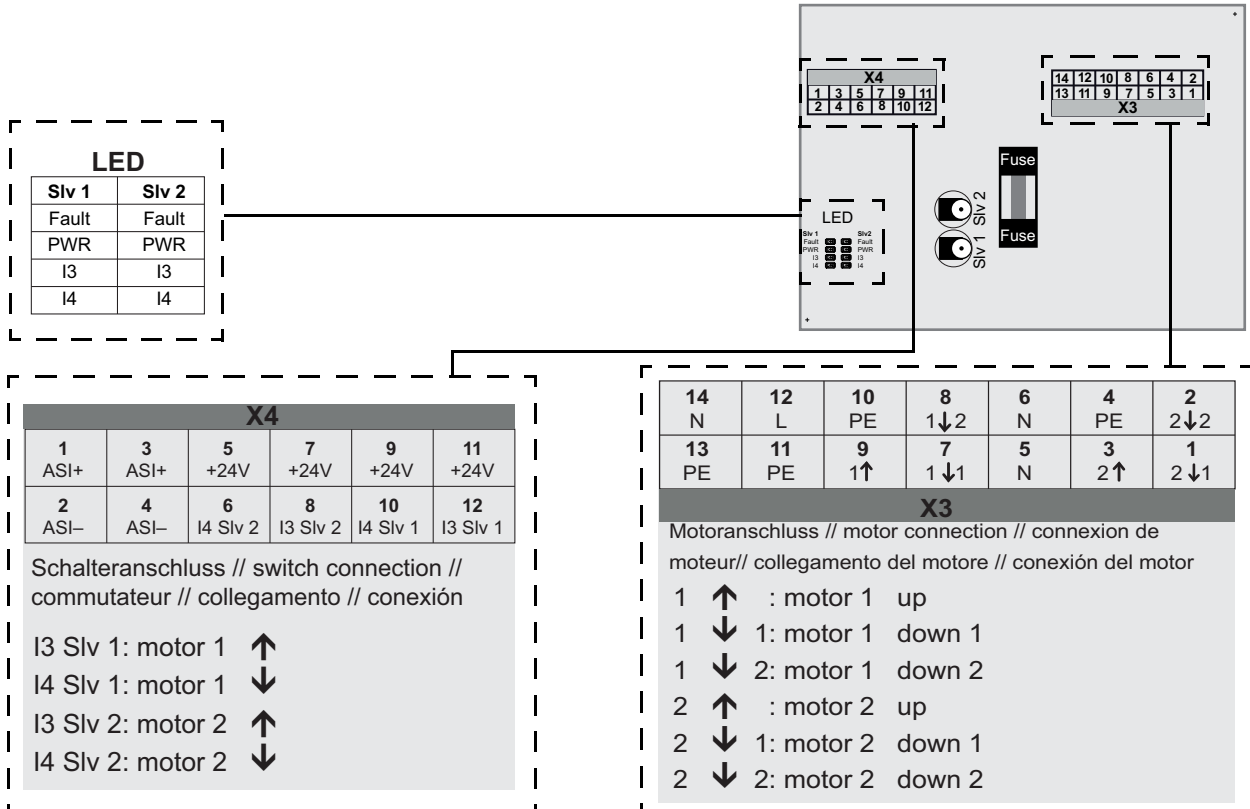
Programming:

- preset address 0, changeable via busmaster-programming devices

Bit setting			
D0	D1	D2	D3
input internal (I1)	input internal (I2)	I3	I4
trip recognition	end position from 1 detection	switch up	switch down
O1	O2	O3	O4
motor down	motor up	-	-

AS-i parameter			
P0	P1	P2	P3
not used	not used	not used	not used

Connections:



Notice!

When connecting 4-wire blind drives, lowering the blind requires that the contact 1(↓)2 (and 2(↓)2 for the second drive) be connected!

Motor limit switch as AS-i signals: (Motor 1= Slave 1, Motor 2= Slave 2)

Position	trip to the top (output 1)		trip to the bottom (output 0)	
	input D0	input D1	input D0	input D1
top	0	0	0	1
center	1	1	1	1
bottom 1	1	0	1	0
bottom 2	0	0	0	0

Scope of delivery:

- AS-i passive distributor to round cable (BW3186) or (BW2890)