

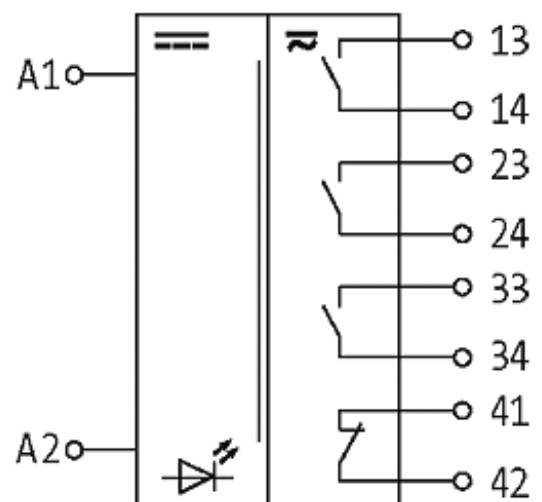
RM 131/24 OUTPUT RELAY

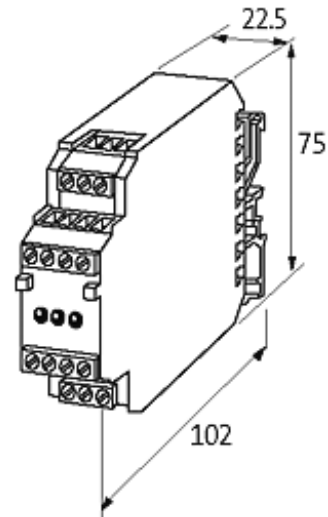
IN: 24 VDC - OUT: 250 VAC/DC / 5 A

1 relay; 3 NO contacts/1 NC contact
 5 A
 24 V DC
 with force guided contacts
 Screw terminals

[Link to Product](#)

Illustration





Product may differ from Image

Utilization category

AC-1	5 A (24/110/230 V AC)
AC-15	4 A (24 V AC); 3 A (110 V AC); 2 A (230 V AC)
DC-13	2 A (24 V DC); 0.4 A (110 V DC); 0.2 A (230 V DC)

Input

Connection voltage - current	24 V DC (21.6...28 V DC) - 30 mA
LED display	LED (red)

General data

Mech./ elect. life	1.000.000 switching cycles/load dependent
Test isolation voltage	2.5 kV
Mounting method	DIN-rail mountable TH35 or G32 (EN 60715)
Temperature range	-20...+50 °C
Dimensions H x W x D	75x22.5x102 mm

Output

Switching voltage	max. 250 V AC/DC
Switching current per output	max. 5 A
Min. load current	300 mA
Power rating (voltage dependent)	max. 1000 VA/50 W
Switching frequency	max. 1 Hz
Contact material	Ag hv; Ag Sn O2
Energize/release/contact bounce time	15/15/2 ms

Commercial data

country of origin	CZ
customs tariff number	85364900
minimum order quantity	1